

**NOTES:**

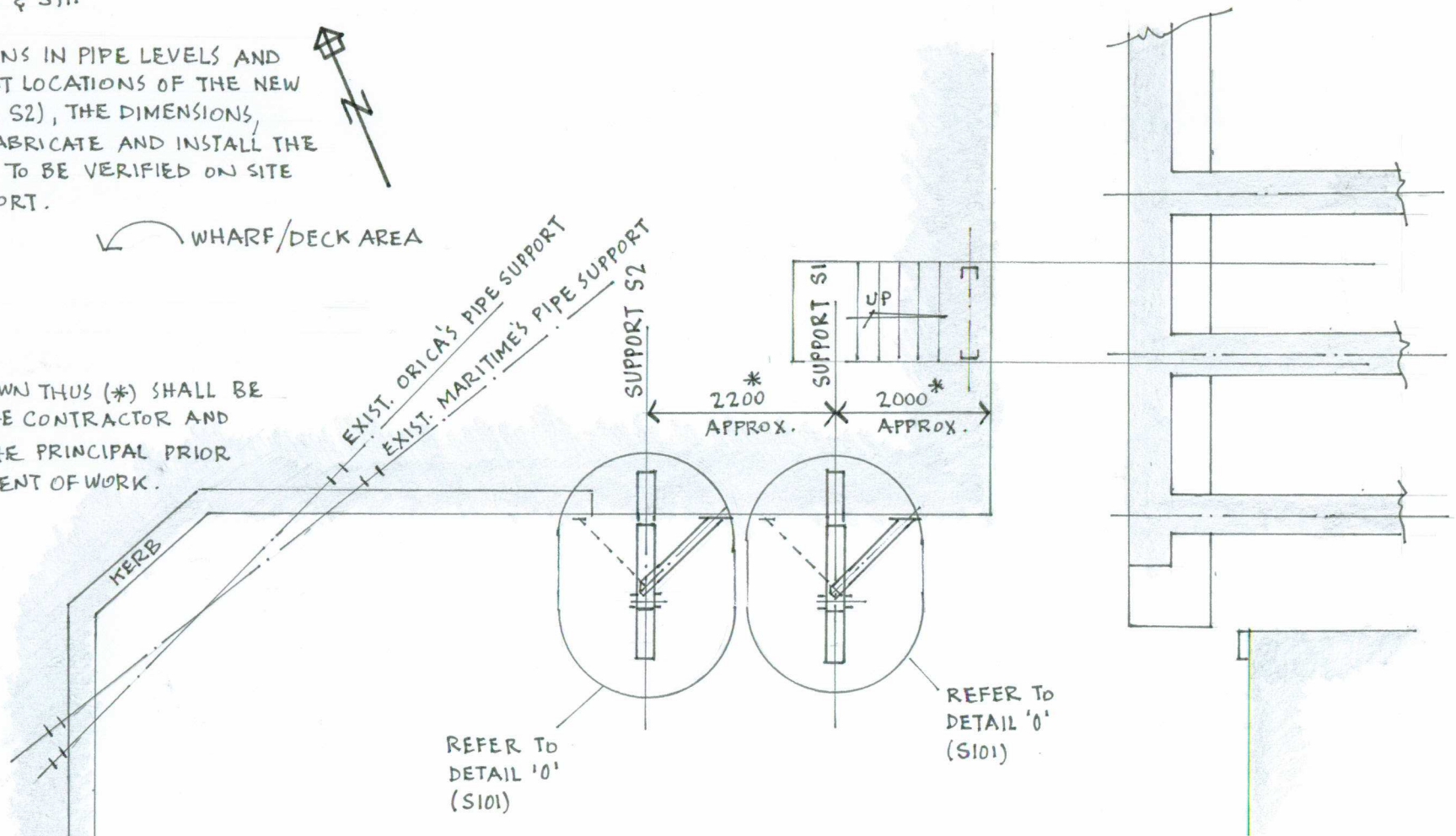
1. FOR ALL TECHNICAL NOTES REFER TO DRAWINGS S110 & S111

2. DUE TO VARIATIONS IN PIPE LEVELS AND DIFFERENCES AT LOCATIONS OF THE NEW SUPPORTS (S1 & S2), THE DIMENSIONS, REQUIRED TO FABRICATE AND INSTALL THE SUPPORTS NEED TO BE VERIFIED ON SITE FOR EACH SUPPORT.



WHARF/DECK AREA

(\*). DIMENSIONS SHOWN THUS (\*) SHALL BE VERIFIED BY THE CONTRACTOR AND APPROVED BY THE PRINCIPAL PRIOR TO COMMENCEMENT OF WORK.



**GENERAL ARRANGEMENT -  
STEEL MARKING PLAN (N.T.S.)**

EXIST. PIPES & SUPPORTS ARE NOT SHOWN FOR CLARITY.

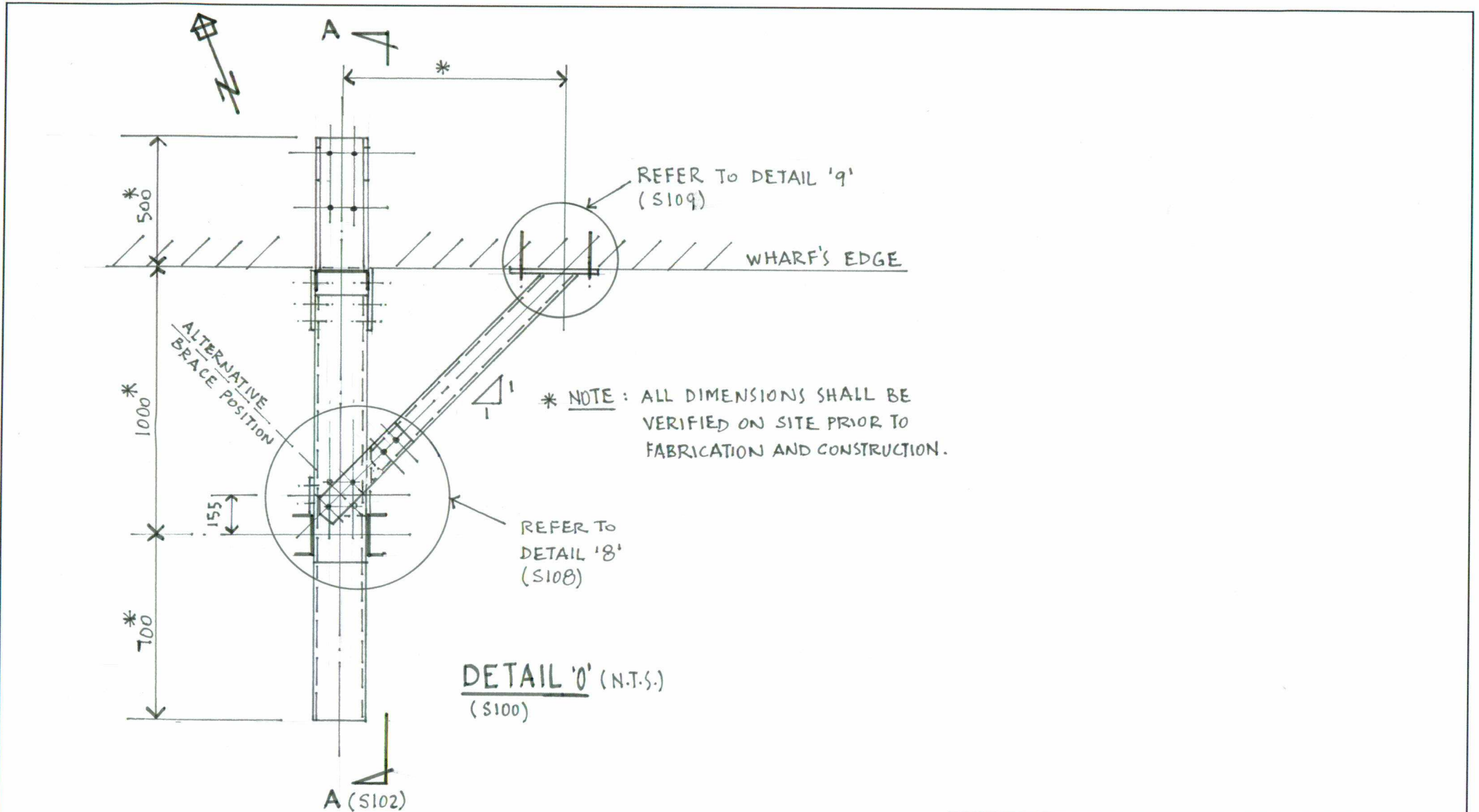
**AHDI ENGINEERING PTY LTD** Tel: (02)9606 6142  
195 Anthony Road, Leppington NSW 2179 Fax: (02)9606 6142

**Client:** Origin Energy  
**Project:** Port Botany Terminal  
Pipe Supports Replacement  
**At:** Port Botany

**General Arrangement - Steel Marking Plan**

**Prep. By:** B. Hanna **Drawing No.:** ORIG102A-S100  
**Date:** 7-Jun-10 **Revision:** A

Rev. No.	Date	Description	Initials
A	7-Jun-10	Issued for Review	BH
Revisions			



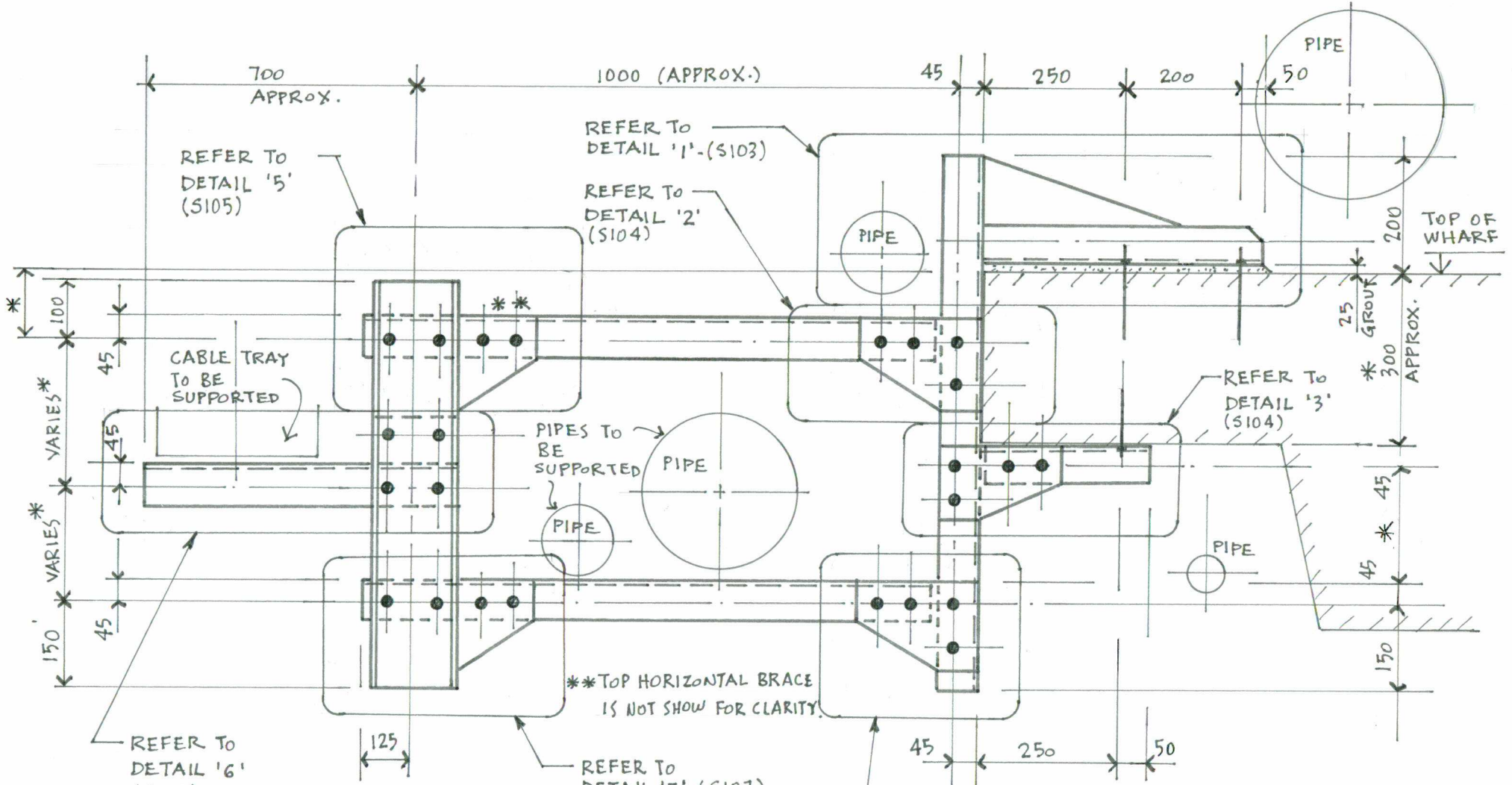
**AHDI ENGINEERING PTY LTD** Tel: (02)9606 6142  
 195 Anthony Road, Leppington NSW 2179 Fax: (02)9606 6142

**Client:** Origin Energy  
**Project:** Port Botany Terminal  
 Pipe Supports Replacement  
**At:** Port Botany

**Steelwork Details - Sheet 1**

Prep. By	B. Hanna	Drawing No.	ORIG102A-S101
Date	7-Jun-10	Revision	A

Rev. No.	Date	Description	Initials
A	7-Jun-10	Issued for Review	BH
Revisions			



**SECTION A-A (N.T.S.)**  
 REFER TO DETAIL '4' (S105)

\* NOTE: ALL SHOWN & MISSING DIMENSIONS SHALL BE OBTAINED AND VERIFIED BY CONTRACTOR PRIOR TO FABRICATION.

<b>AHDI ENGINEERING PTY LTD</b>		Tel: (02)9606 6142	
195 Anthony Road, Leppington NSW 2179		Fax: (02)9606 6142	
<b>Client:</b>	Origin Energy		
<b>Project:</b>	Port Botany Terminal Pipe Supports Replacement Port Botany		
<b>At:</b>	Port Botany		
<b>Steelwork Details - Sheet 2</b>			
<b>Prep. By</b>	B. Hanna	<b>Drawing No.</b>	ORIG102A-S102
<b>Date</b>	7-Jun-10	<b>Revision</b>	A

Rev. No.	Date	Description	Initials
A	7-Jun-10	Issued for Review	BH
Revisions			